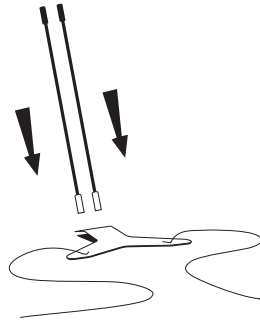


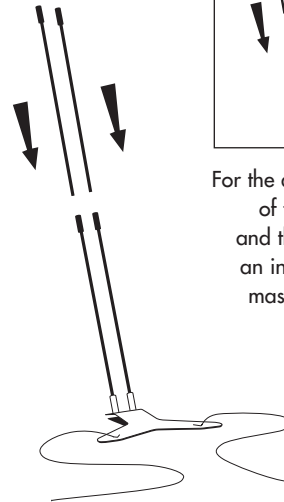
**IGOGNE™** Display

**IGOGNE™**  
**300**

**1**



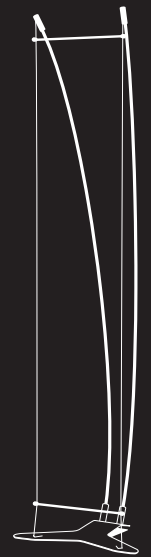
**2**



For the assembling of the MAX + and the MINI +, an intermediate mast is added.

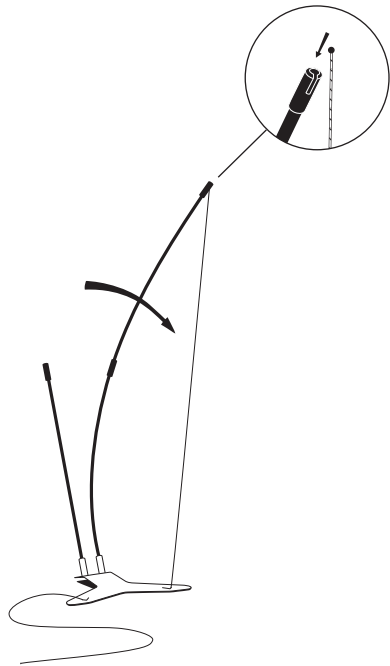


MAX +

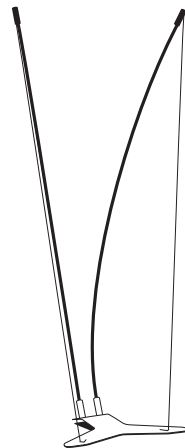


MINI +

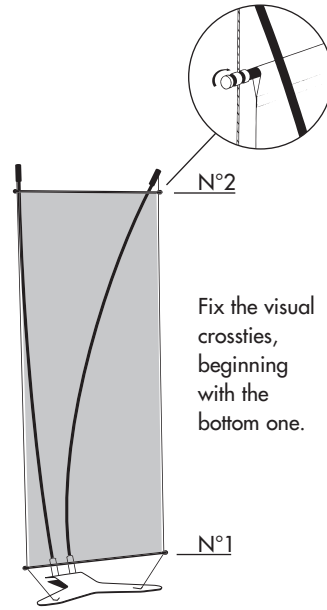
**3**



**4**



**5**



Fix the visual cross-ties, beginning with the bottom one.



MAX



MINI